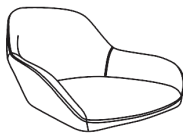


# Clubhouse Counter Stool

Part # B26-CLB XX+XX

170525

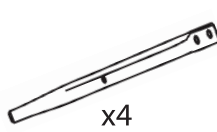
**PARTS**



A



B



C x4



D



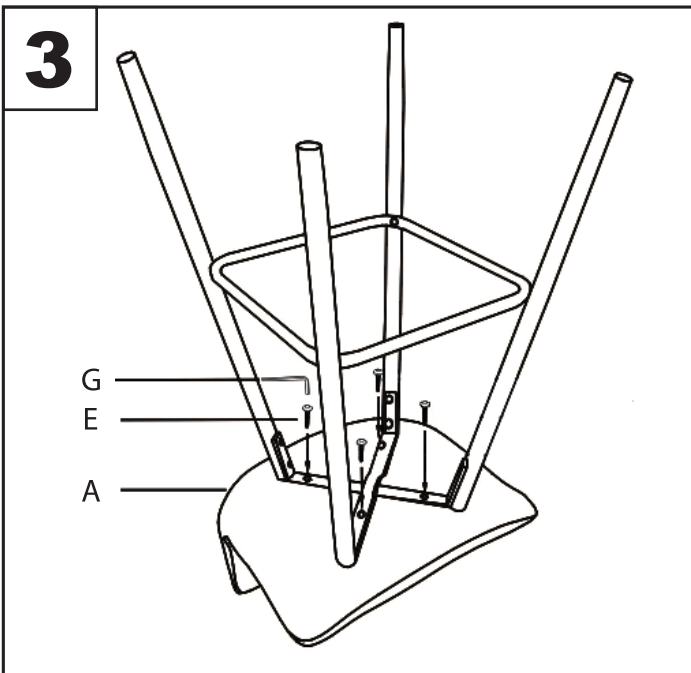
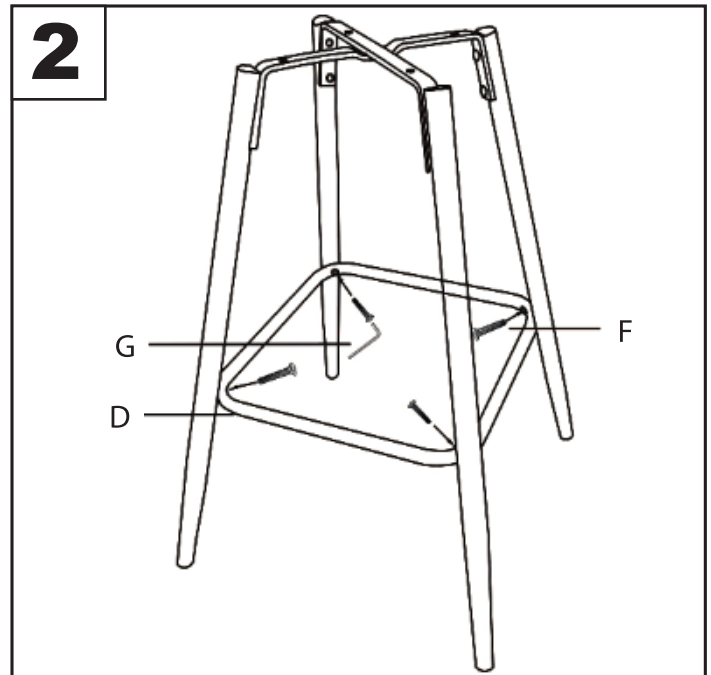
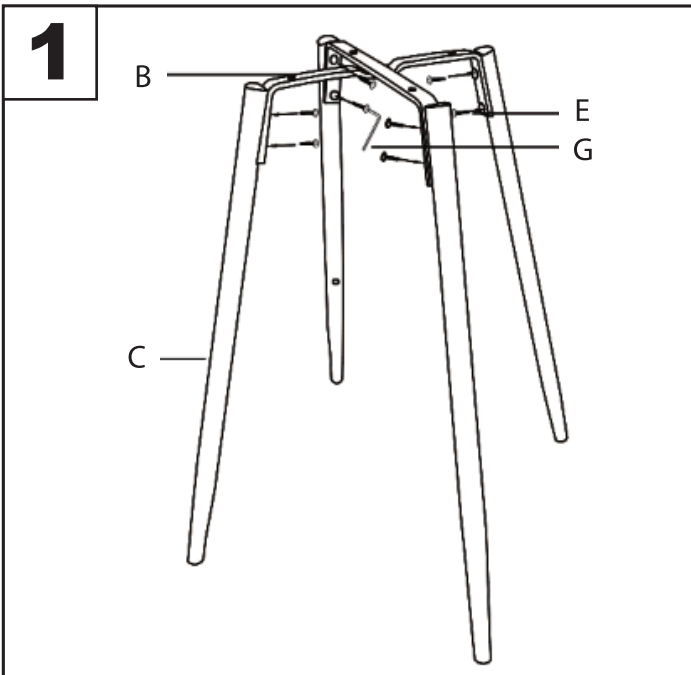
(M6x18)  
x12  
E



(M6x30)  
x4  
F



G



Do not over tighten.  
Do not use power tools to assemble.